

NH fuse-links gG 500VAC

top indicator/live tags size 4, 4a

LOW VOLTAGE IEC FUSES

IEC NH FUSE-LINKS



The NH system is classified among plug-in fuse systems and is composed of:

- fuse-base (possibly including terminal covers and phase barriers)
- fuse-link with blade contact
- fuse-link replacement device (LV HRC fuse puller)

Since the design of this system cannot guarantee non-interchangeability of rated current it must be handled by a qualified professional.

Type “gG” NH fuse-links are full range breaking capacity fuse-links and are used to protect cables and equipment. They can interrupt any current surge, from the lowest fusing current up to their breaking capacity, and so can be used alone as protection. They also protect electrical devices and industrial set-ups from the electrodynamic effects of very high short-circuit currents.

TECHNICAL DATA OVERVIEW

Voltage AC	500 VAC
Ampere Range (A)	400 ... 1600 A
Size per Standard	4, 4a
Speed/Characteristic	gG
I.R. AC	120 kA
Body Material	ceramic
Contact Materials	copper, silver-plated

FEATURES & BENEFITS

- Dimensions in accordance with DIN 43 620
- Live tags
- Top indicator
- Lead free contact blades
- 0% cadmium

APPLICATIONS

- gG: General purpose (protection of cables and LV-networks)

STANDARDS

- IEC/EN 60269-1 and -2
- VDE 0636 Part 201



NH fuse-links gG 500VAC

top indicator/live tags size 4, 4a

PRODUCT RANGE



NH4GG50V1250-8

Size 4

Catalog number	Reference number	Rated current I _n	Power dissipation at I _n	Width	Weight	Package
NH4GG50V630-8	X1034514	630 A	38 W	100 mm	2.59 kg	1
NH4GG50V800-8	Y1034515	800 A	56 W	100 mm	2.59 kg	1
NH4GG50V1000-8	Z1034516	1000 A	65 W	100 mm	2.59 kg	1
NH4GG50V1250-8	A1034517	1250 A	61 W	100 mm	2.59 kg	1



NH4AGG50V1600-8

Size 4a

Catalog number	Reference number	Rated current I _n	Power dissipation at I _n	Width	Weight	Package
NH4AGG50V400-8	B1034518	400 A	31 W	98 mm	2.59 kg	1
NH4AGG50V500-8	C1034519	500 A	45 W	98 mm	2.59 kg	1
NH4AGG50V630-8	D1034520	630 A	47 W	98 mm	2.59 kg	1
NH4AGG50V710-8	E1034521	710 A	57 W	98 mm	2.59 kg	1
NH4AGG50V800-8	F1034522	800 A	67 W	98 mm	2.59 kg	1
NH4AGG50V900-8	G1034523	900 A	68 W	98 mm	2.59 kg	1
NH4AGG50V1000-8	H1034524	1000 A	69 W	98 mm	2.595 kg	1
NH4AGG50V1250-8	J1034525	1250 A	84 W	98 mm	2.59 kg	1
NH4AGG50V1600-8	K1034526	1600 A	106 W	98 mm	2.59 kg	1

TECHNICAL DATA

	size 4	size 4a
Rated current	630 ... 1250 A	400 ... 1600 A
Rated breaking capacity AC	120 kA	120 kA
Rated voltage AC	500 V	500 V
Indication System	top indicator	top indicator
Width	100 mm	100 mm

MERSEN reserves the right to change, update or correct, without notice, any information contained in this datasheet.

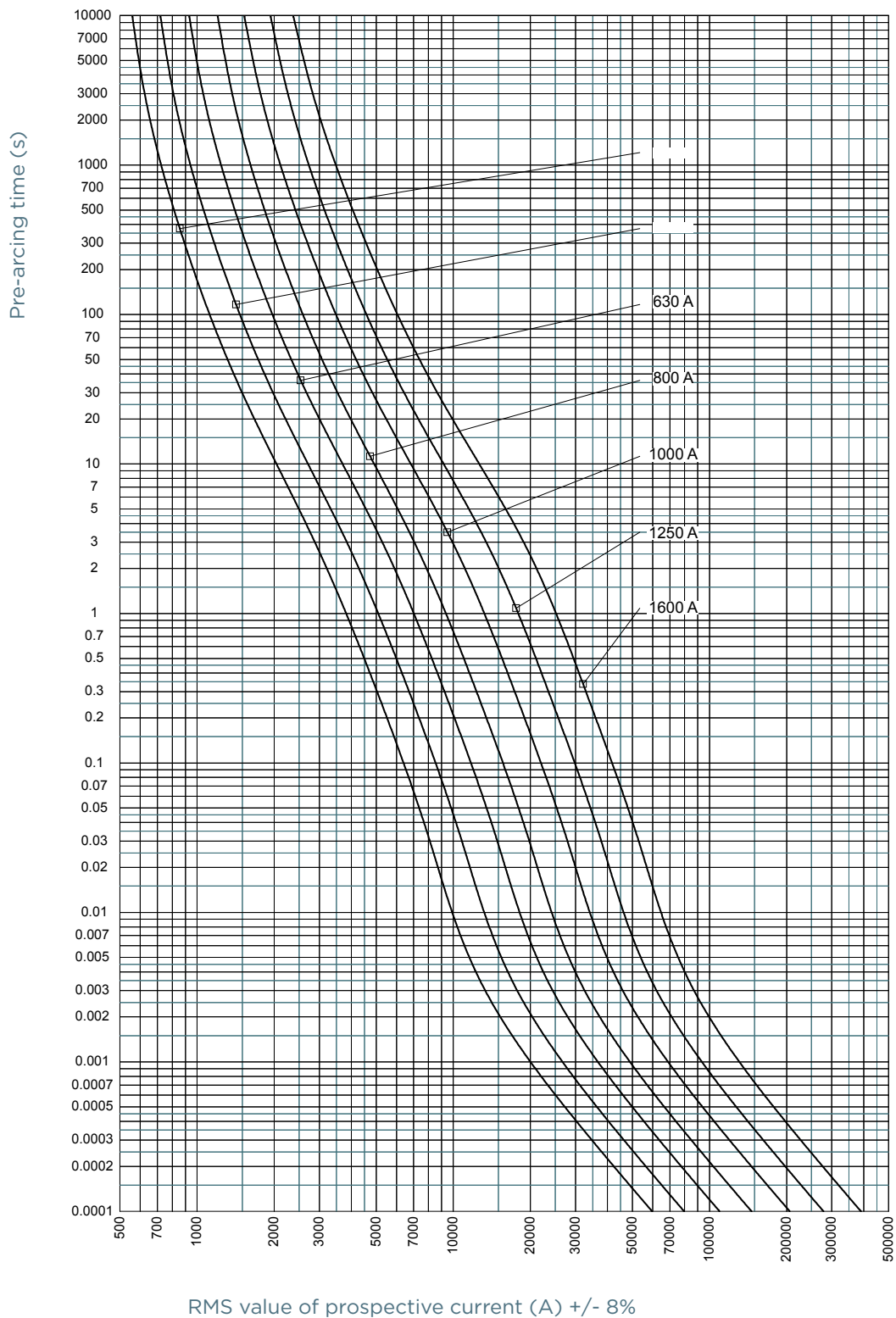
NH fuse-links gG 500VAC

top indicator/live tags size 4, 4a

TIME CURRENT CHARACTERISTIC CURVES

Size 4, 630-1250A

Size 4a, 400-1600A



MERSEN reserves the right to change, update or correct, without notice, any information contained in this datasheet.

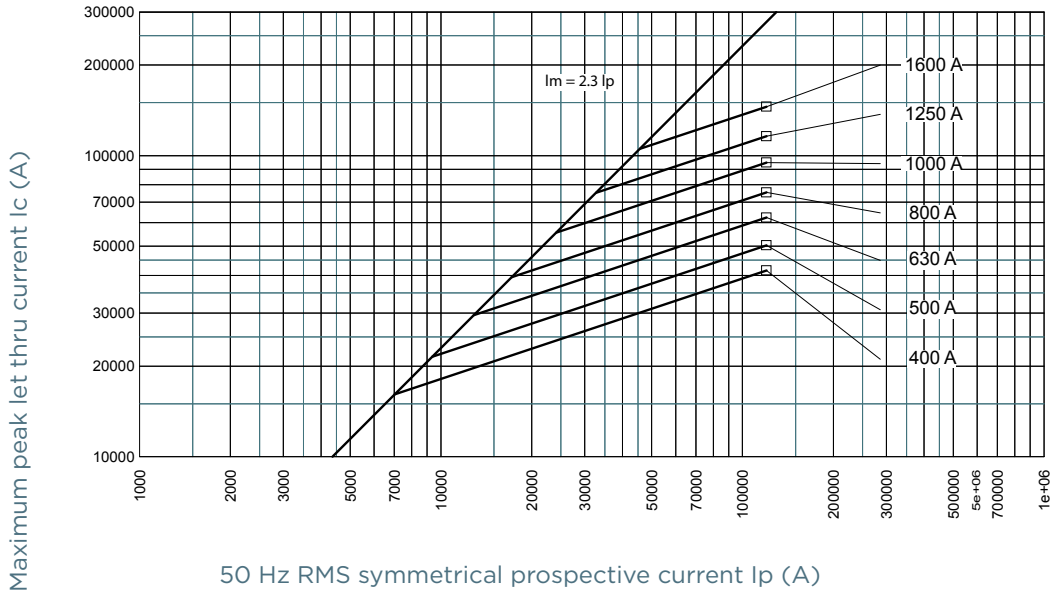
NH fuse-links gG 500VAC

top indicator/live tags size 4, 4a

CUT-OFF CURRENT CHARACTERISTIC

Size 4, 630-1250A

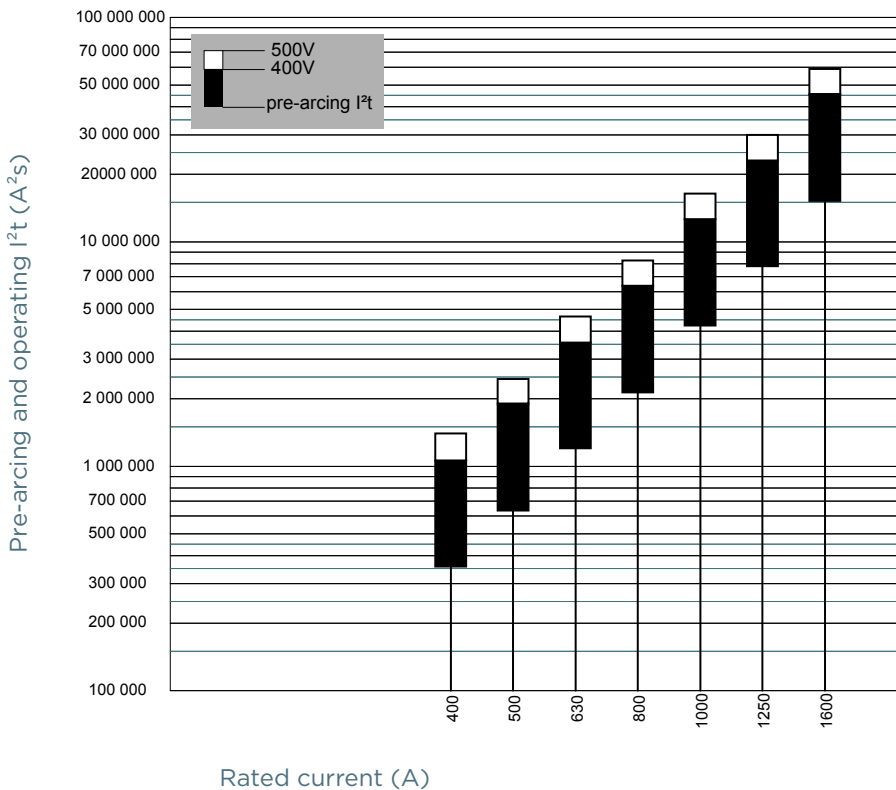
Size 4a, 400-1600A



PRE-ARCING AND OPERATING I^2t CHARACTERISTICS

Size 4, 630-1250A

Size 4a, 400-1600A

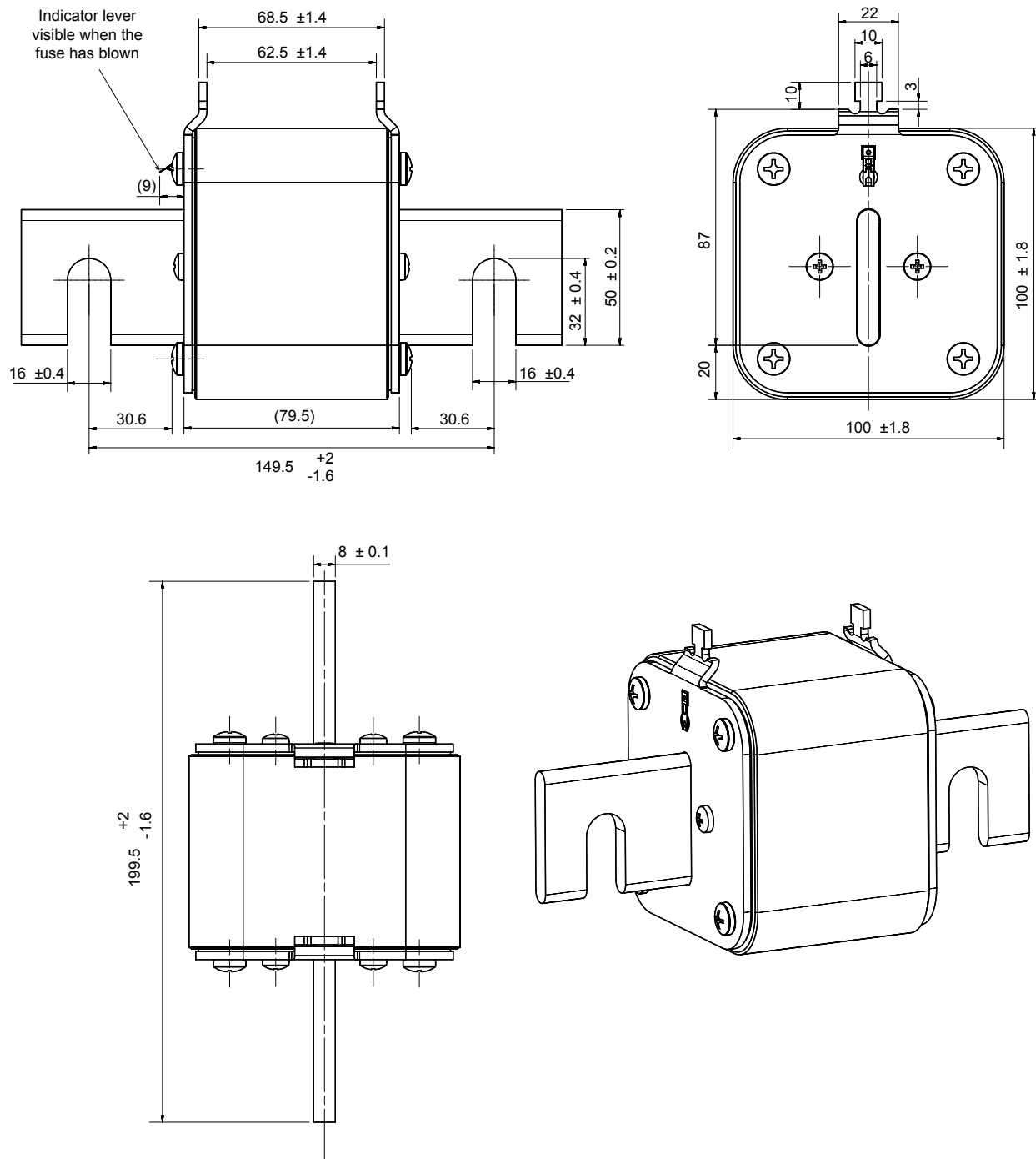


NH fuse-links gG 500VAC

top indicator/live tags size 4, 4a

DIMENSIONS

Size 4 with top indicator



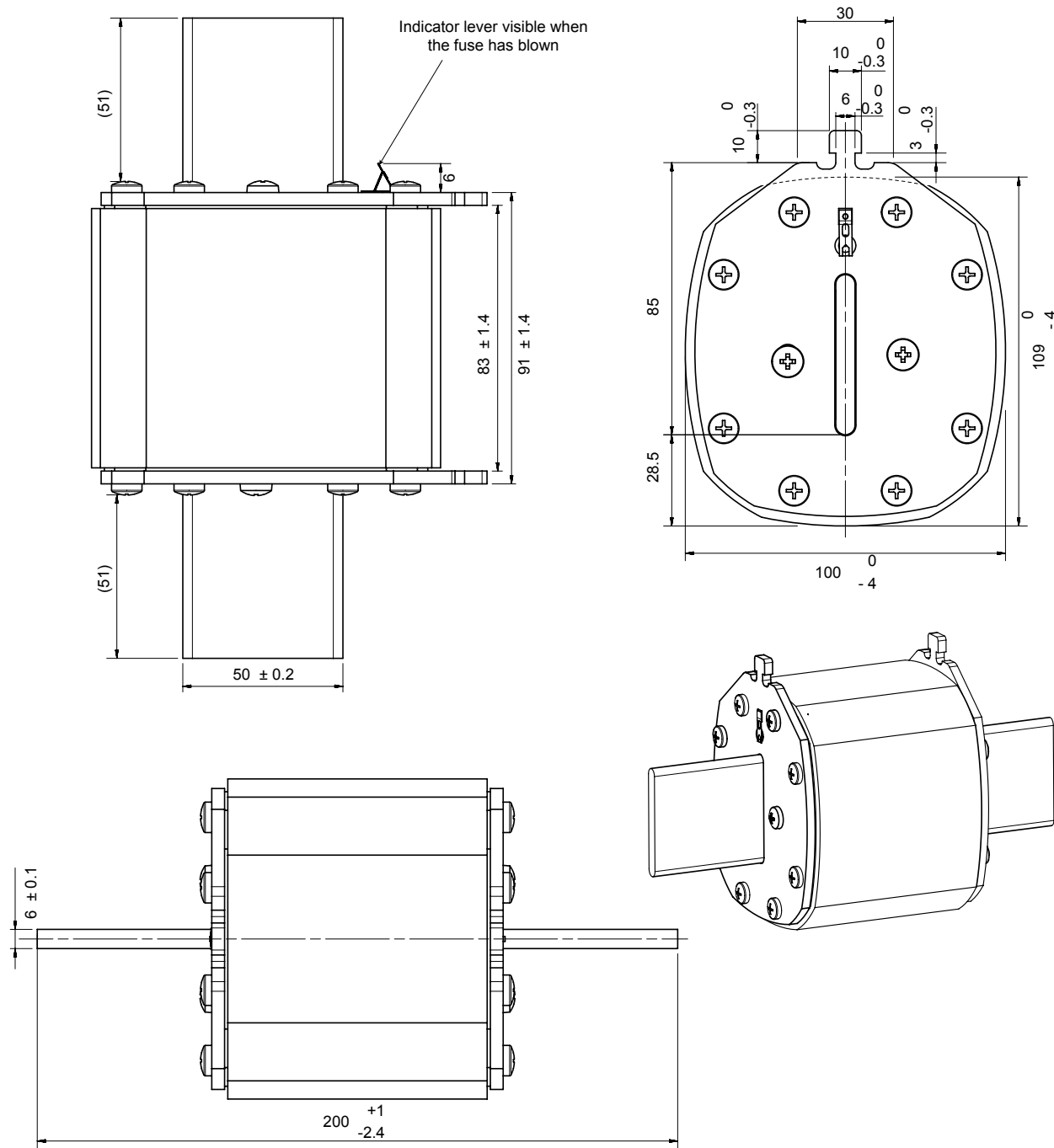
Dimensions in mm

NH fuse-links gG 500VAC

top indicator/live tags size 4, 4a

DIMENSIONS

Size 4a with top indicator



Dimensions in mm