

NH fuse-links gG 690VAC

top indicator/live tags size 4 and 4a

LOW VOLTAGE IEC FUSES

IEC NH FUSE-LINKS



The NH system is classified among plug-in fuse systems and is composed of:

- fuse-base (possibly including terminal covers and phase barriers)
- fuse-link with blade contact
- fuse-link replacement device (LV HRC fuse puller)

Since the design of this system cannot guarantee non-interchangeability of rated current it must be handled by a qualified professional.

Type “gG” NH fuse-links are full range breaking capacity fuse-links and are used to protect cables and equipment. They can interrupt any current surge, from the lowest fusing current up to their breaking capacity, and so can be used alone as protection. They also protect electrical devices and industrial set-ups from the electrodynamic effects of very high short-circuit currents.

TECHNICAL DATA OVERVIEW

Voltage AC	690 VAC
Ampere Range (A)	400 ... 1000 A
Size per Standard	4, 4a
Speed/Characteristic	gG
I.R. AC	120 kA
Body Material	ceramic
Contact Materials	copper, silver-plated

FEATURES & BENEFITS

- Dimensions in accordance with DIN 43 620
- Live tags
- Top indicator
- Lead free contact blades
- 0% cadmium

APPLICATIONS

- gG: General purpose (protection of cables and LV-networks)

STANDARDS

- IEC/EN 60269-1 and -2
- VDE 0636 Part 201



NH fuse-links gG 690VAC

top indicator/live tags size 4 and 4a

PRODUCT RANGE

Size 4

Catalog number	Reference number	Rated current I _n	Power dissipation at I _n	Width	Weight	Package
NH4GG69V400-8	N214004	400 A	32 W	100 mm	2.186 kg	1
NH4GG69V500-8	Y215025	500 A	40 W	100 mm	2.16 kg	1
NH4GG69V630-8	E215537	630 A	53 W	100 mm	2.19 kg	1
NH4GG69V800-8	K216554	800 A	68 W	100 mm	2.18 kg	1

Size 4a

Catalog number	Reference number	Rated current I _n	Power dissipation at I _n	Width	Weight	Package
NH4AGG69V500-8	S1034510	500 A	45 W	98 mm	2.58 kg	1
NH4AGG69V630-8	T1034511	630 A	47 W	98 mm	2.58 kg	1
NH4AGG69V800-8	V1034512	800 A	67 W	98 mm	2.6 kg	1
NH4AGG69V1000-8	W1034513	1000 A	73 W	98 mm	2.622 kg	1



NH4AGG69V1000-8

TECHNICAL DATA

	size 4	size 4a
Rated current	400 ... 800 A	500 ... 1000 A
Rated breaking capacity AC	120 kA	120 kA
Rated voltage AC	690 V	690 V
Indication System	top indicator	top indicator
Width	100 mm	100 mm

MERSEN reserves the right to change, update or correct, without notice, any information contained in this datasheet.

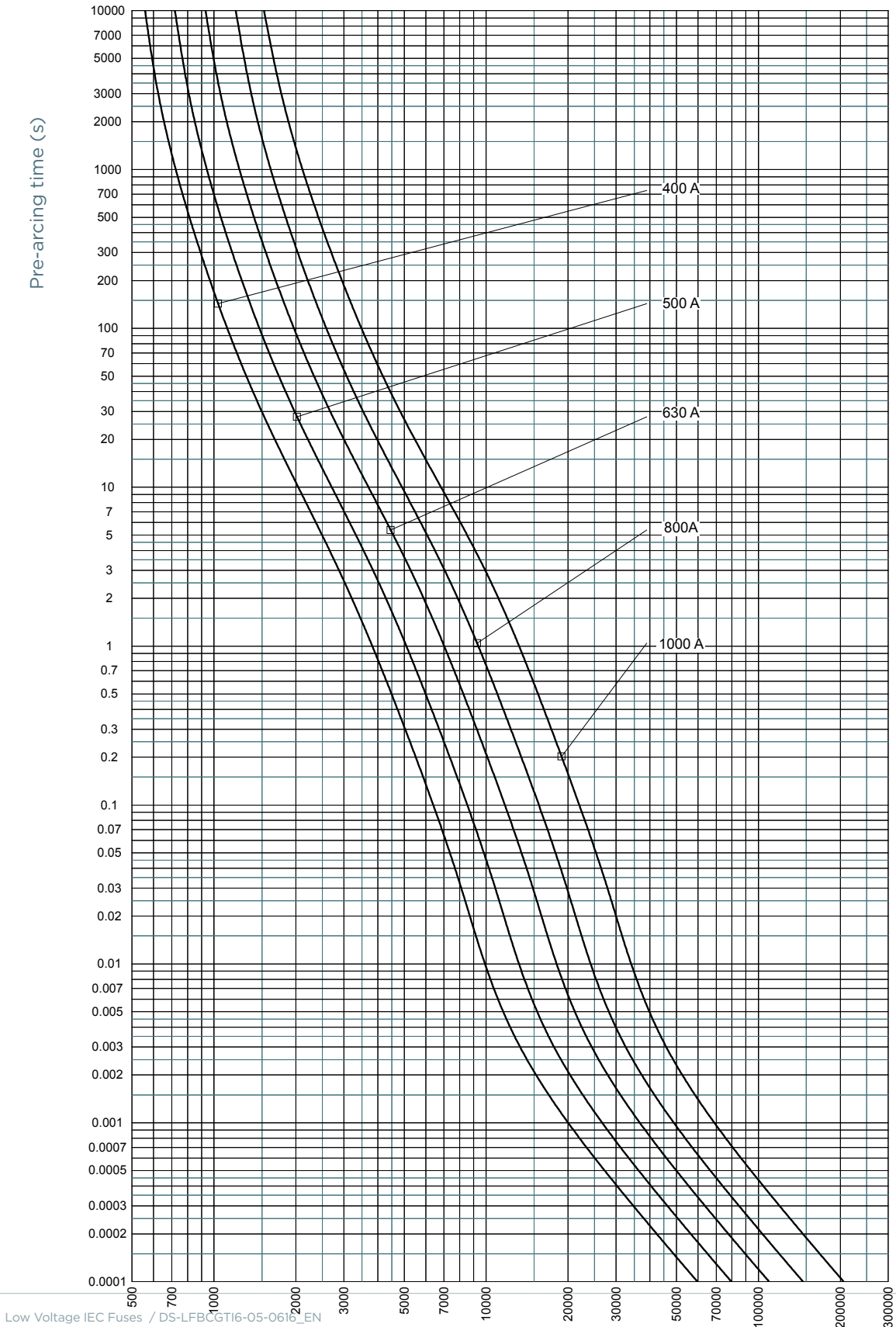
NH fuse-links gG 690VAC

top indicator/live tags size 4 and 4a

TIME CURRENT CHARACTERISTIC CURVES

Size 4, 400-800A

Size 4a, 500-1000A



Low Voltage IEC Fuses / DS-LFBCGT16-05-0616_EN

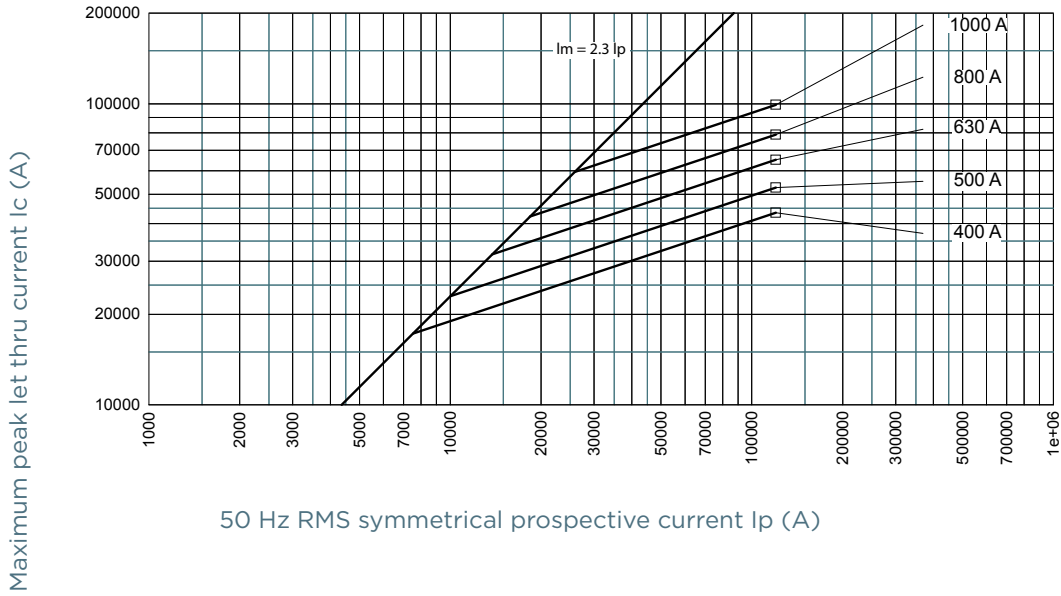
NH fuse-links gG 690VAC

top indicator/live tags size 4 and 4a

CUT-OFF CURRENT CHARACTERISTIC

Size 4, 400-800A

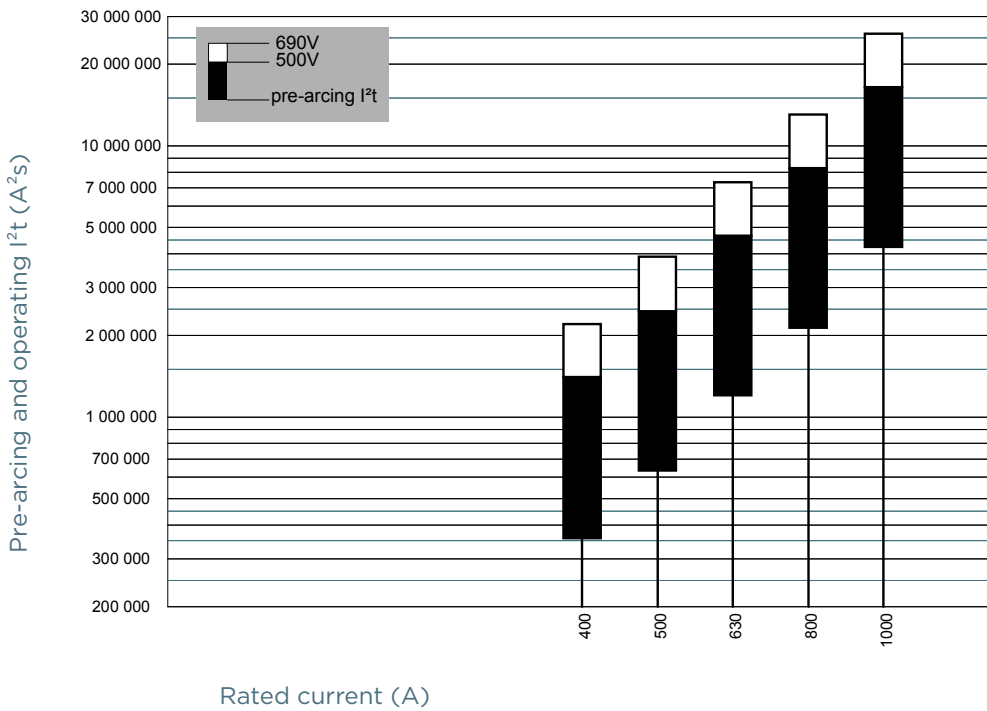
Size 4a, 500-1000A



PRE-ARCING AND OPERATING I^2t CHARACTERISTICS

Size 4, 400-800A

Size 4a, 500-1000A



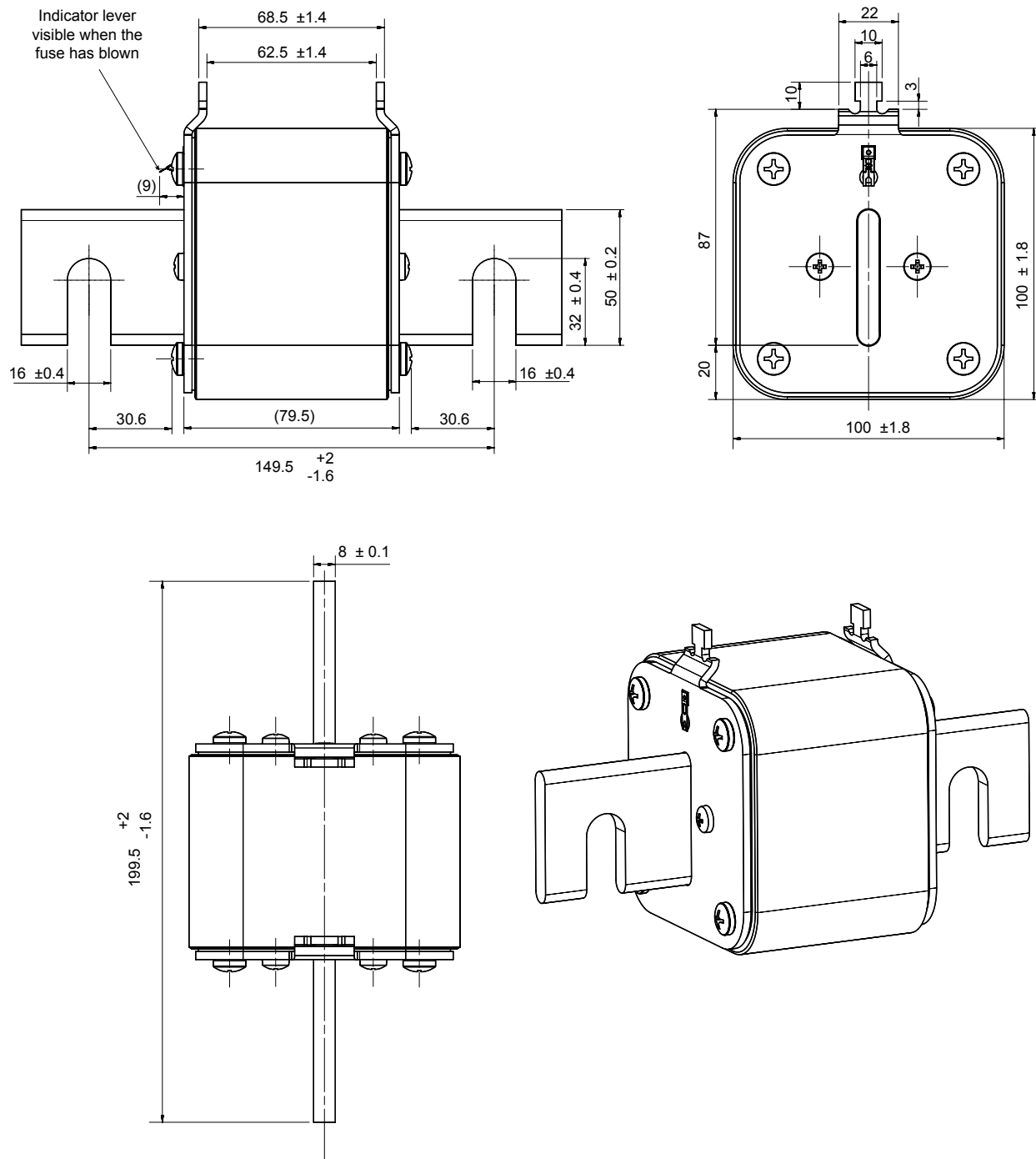
MERSEN reserves the right to change, update or correct, without notice, any information contained in this datasheet.

NH fuse-links gG 690VAC

top indicator/live tags size 4 and 4a

DIMENSIONS

Size 4 with top indicator



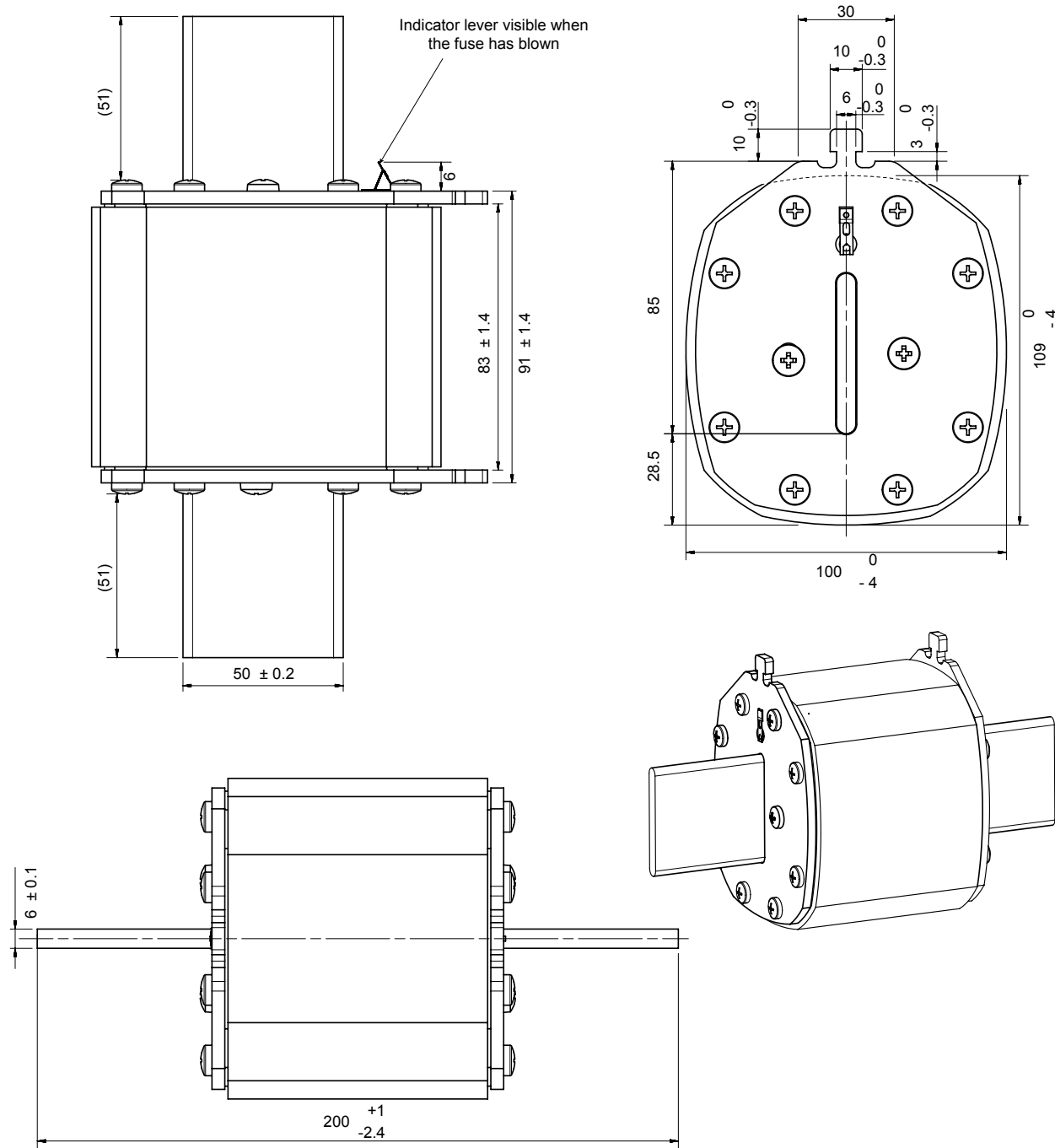
Dimensions in mm

NH fuse-links gG 690VAC

top indicator/live tags size 4 and 4a

DIMENSIONS

Size 4a with top indicator



Dimensions in mm